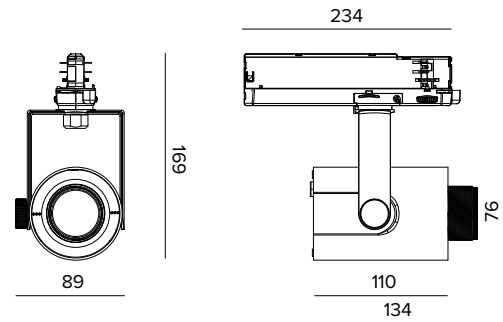


## T036ZMP940CADB | RAY 75 ZOOM

### Professional adjustable LED projector with a variable light beam opening



The fixture's photometric values can be found on the following pages



The figures on the drawing are expressed in mm.

#### SOURCE

High efficiency Chip on Board LED Ra90. Ra97 on request.

**Energy efficiency class:** F

**Nominal power:** 17W

**Nominal flux:** 1879lm

**Colour rendering index:** 90

**Rf:** 90

**Rg:** 98

**CCT nominal:** 4000K

**Lifetime (L80/B10):** >50000h tq +25°C

#### ILLUMINOTECHNICAL CHARACTERISTICS

ZOOM PRECISION version: a classic system with the lens at a variable distance from the source. Telescopic optics holders in black anti-reflective anodised aluminium. Plano convex lens in optical glass, highly reflective anodised aluminium reflector, PMMA front diffusor.

**Optic:** HYBRID

**Beam angles:** NSP-WFL

**Optical efficiency:** See photometries

**Fixture flux:** See photometries

**Luminous efficacy:** See photometries

**Photobiological safety:** Compliant with RG1 low risk group

#### MECHANICAL CHARACTERISTICS

Painted die-cast aluminium body. Black painted polycarbonate front ring. Adjustable from 0° to -90° on the vertical plane and 359° on the horizontal plane. Mechanical beam locking system on the vertical plane and friction beam locking system on the horizontal plane. The centre of gravity always remains in axis with the track regardless of the aiming.

**Colour and finish:** Deep black

**Dimensions:** 75

**Weight:** 0.53Kg

**Version:** ZOOM PRECISION

**Degree of protection:** IP20

#### ELECTRICAL CHARACTERISTICS

CASAMBI electronic driver integrated into the track adapter.

**Fixture Power:** 20W

**Power supply:** 220-240Vac 50/60Hz

**Insulation Class:** CLASS 2

**Type of driver / Control:** CASAMBI

**Driver included:** YES

**Class F:** YES

**SAFE FLICKER:** PstLM=<1 and SVM=<0.4 (IEC TR 61547-1 and IEC TR 63158), to ensure a more comfortable and safe light

**Ambient temperature:** 0°C / +25°C

#### INSTALLATION

Electrified track mounting.

#### NOTES

110-277Vac version available on request. Commissioning of the control system via free APP; the intervention of a specialist technician can be quoted on request.

#### WARRANTY

5 years.

#### WARNING

Luminaire designed for disposal/recycling at end-of-life. Replaceable (LED only) light source by a professional. Replaceable control gear by a professional.

Due to the technological evolution of the electronic components, the data provided may be updated, and as such, confirmation must be requested during the order process.

Luminous flux and power supply have +/-10% tolerances with respect to the indicated value. tq +25°C (CIE 121).

We reserve the right to make technical changes.

Targetti Sankey S.r.l.  
Via Pratese, 164  
50145 Firenze - Italy  
Tel: +39 055 37911  
targetti.com  
targetti@targetti.com

CCIAA Firenze  
Share Capital:  
€ 500.000,00  
VAT N. (IT):  
01537660480  
R.E.A: FI-275656

**TARGETTI**

## T036ZMP940CADB | RAY 75 ZOOM

### Professional adjustable LED projector with a variable light beam opening

|  |                              | 4000K            | H(m)    | D(m)  | Emax(lx) |     |
|--|------------------------------|------------------|---------|-------|----------|-----|
|  |                              | Ra90             |         | 9°    |          |     |
| Fixture Power  | 20W                          | 1                | 0.16    | 13344 |          |     |
| Source Flux  | 1879lm                       | 2                | 0.32    | 3336  |          |     |
| Fixture Flux   | 432lm                        | 3                | 0.47    | 1483  |          |     |
| Efficacy   | 22lm/W                       | 4                | 0.63    | 834   |          |     |
| TS1947   | I <sub>max</sub> =7102cd/klm | I <sub>max</sub> | 13344cd | 5     | 0.79     | 534 |

|  |                             | 4000K            | H(m)   | D(m) | Emax(lx) |    |
|--|-----------------------------|------------------|--------|------|----------|----|
|  |                             | Ra90             |        | 64°  |          |    |
| Fixture Power  | 20W                         | 1                | 1.24   | 1295 |          |    |
| Source Flux  | 1879lm                      | 2                | 2.48   | 324  |          |    |
| Fixture Flux   | 1339lm                      | 3                | 3.73   | 144  |          |    |
| Efficacy   | 69lm/W                      | 4                | 4.97   | 81   |          |    |
| TS1946   | I <sub>max</sub> =699cd/klm | I <sub>max</sub> | 1314cd | 5    | 6.21     | 52 |

#### NSP

|                    |        |
|--------------------|--------|
| Fixture flux       | 432lm  |
| Luminous efficacy  | 22lm/W |
| Optical efficiency | 23%    |

#### WFL

|                    |        |
|--------------------|--------|
| Fixture flux       | 1339lm |
| Luminous efficacy  | 69lm/W |
| Optical efficiency | 71%    |

Due to the technological evolution of the electronic components, the data provided may be updated, and as such, confirmation must be requested during the order process.

Luminous flux and power supply have +/-10% tolerances with respect to the indicated value. tq +25°C (CIE 121).

We reserve the right to make technical changes.

Targetti Sankey S.r.l.  
Via Pratese, 164  
50145 Firenze - Italy  
Tel: +39 055 37911  
targetti.com  
targetti@targetti.com

CCIAA Firenze  
Share Capital:  
€ 500.000,00  
VAT N. (IT):  
01537660480  
R.E.A.: FI-275656

# TARGETTI